


Display (VGA) Extender Video Display Extender over Cat Cable

User Manual (GVE120)



The GVE120 Video Display Extender allows you to extend the distance between the computer system unit and the VGA display over 400 feet (130 meters) away. It accomplishes this by means of a local transmitting unit (GVE120L), and a remote receiving unit (GVE120R), connected by standard Category 5, 5e, or 6 twisted pair Ethernet cable.

We hope you enjoy using your Video Extender, yet another first-rate connectivity solution from IOGEAR®.

© 2003 IOGEAR®. All Rights Reserved. PKG-M0064

IOGEAR®, the IOGEAR® logo, ION™, are trademarks or registered trademarks of IOGEAR® Inc. Microsoft and Windows are registered trademarks of Microsoft Corporation. IBM is a registered trademark of International Business Machines, Inc. MAC, Macintosh, and Apple are registered trademarks of Apple Computer, Inc. All other brand and product names are trademarks or registered trademarks of their respective holders. IOGEAR® makes no warranty of any kind with regards to the information presented in this document. All information furnished here is for informational purposes only and is subject to change without notice. IOGEAR® assumes no responsibility for any inaccuracies or errors that may appear in this document. Reproduction in whole or part without permission is prohibited.

Table of Contents

Package Contents.....	02
Overview.....	03
Features.....	04
Requirements.....	05
Introduction.....	06
Pictorial Introduction – Local Unit.....	08
Pictorial Introduction – Remote Unit.....	10
Installation of Video Extender.....	12
Technical Details.....	16
Technical Support.....	18
Specification.....	19
Radio & TV Interference Statement.....	20
Limited Warranty.....	21

Package Contents

This package contains:

- 1- IOGEAR Video Extender (GVE120)
 - Remote Unite (GVE120R)
 - Local Unite (GVE120L)
- 1- VGA (HD15) male - VGA (HD15) male / 6 feet cable
- 2- 9V 500ma Power Adapter
- 1- Quick Start Guide
- 1- Warranty / Registration Card

If any of the items are missing or damaged, please contact your dealer immediately.

The GVE120 Video Display Extender is ideal for factory and construction sites, or any installation where the display needs to reside in a harsh settings while you and your system equipment are in an environmentally friendly location. The Video Extender is also useful for control and security purposes, where you can have the system unit in a secure area at the same time that you put the display in an area that is convenient for viewing. There are many other application for the Video Extender, share yours, send an email to info@iogear.com.

Other useful applications for the Video Extender system include:

- Financial: remote display of stock market and other financial information
- Education: remote display of lectures and lessons to auditoriums and classrooms
- Business: remote display of addresses to overflow rooms; video conferencing; security systems, field equipment, and demos

Features

- Superior Video Quality, Maintains Highest Signal Strength In All Applications Up to 1600 x 1200 @ 300 feet
- Supports VGA, SVGA, and Mutisync Compatible Displays
- Hassle free, no software to install, instant installation and use.
- Sturdy design for long lasting durability
- Compact design for easy placement
- Daisy Chainable
- Three Year Limited Warranty

VGA, SVGA, Multisync Compatible

Macintosh Users:

- All MACs With Analog VGA Support

PC Users:

- All PCs With Analog VGA Support

Accessories / Additional Products

VGA Video Splitter – (2-port/GVS92, 4-port/GVS94, 8-port/GVS98)

USB Flex™ Web Cam - USB Flaxable Web Camera (GCA210U)

KVMP Switch – 2 and 4 port USB KVMP switch (GCS1712/14)

Introduction

Introducing the easiest way deliver your computers video signal over great distances! IOGEAR's® Video Display Extender is a unique way bring your monitors signal to places usually out of reach. Send live, streaming video across the home or workplace.

The IOGEAR's® Video Display Extender is perfect for use in class rooms, conference and training rooms, and other sites that require video to be displayed at distant locations.

This manual contains information on the installation and capabilities of your new IOGEAR's® Video Display Extender

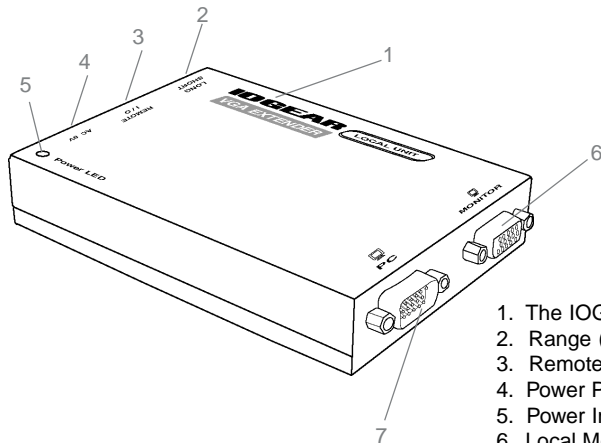
In sections of the manual where sequential steps are listed, each action is listed with no indentation. Additional text is included, but indented, to further explain each of these actions. A glossary has been added at the end of the manual so you may look up unfamiliar terms.

A few things should be mentioned before explaining the installation procedure:

All IOGEAR's® Video Display Extenders are tested before they are shipped.

Pictorial Introduction – Local Unit (GVE120)

Local Unit (GVE120)



1. The IOGEAR Logo, A mark of quality
2. Range (long/short) Switch
3. Remote I/O (RJ/45 port)
4. Power Port (AC 9V)
5. Power Indicator Light
6. Local Monitor Port
7. Local Computer Port

Pictorial Introduction – Local Unit (GVE120)

Range Switch

Slide the switch to the **Long** position if the Remote Unit is located a long distance away; slide the switch to the **Short** position if the Remote Unit is located a short distance away.

Remote I/O

The Category **5**, **5e**, or **6** twisted pair ethernet cable that connects to the Remote Unit plugs into this connector.*

Power Port (AC 9V)

The power supply cable plugs into this connector.

Power Indicator Light

Lights to indicate that the unit is receiving power.

Local Monitor Port

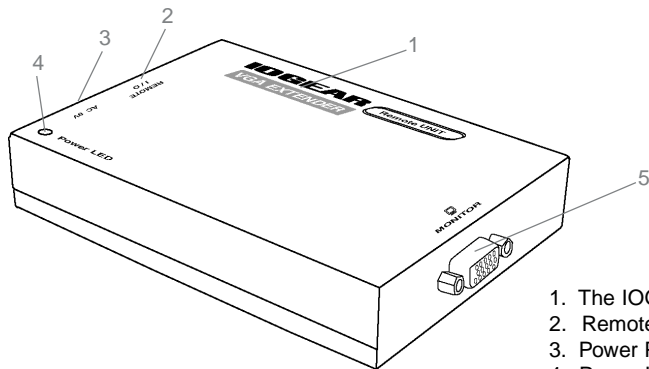
The local monitor's VGA cable plugs into this connector.

Local Computer Port

The VGA extension cable that connects to the computer's VGA port plugs into this connector.

Pictorial Introduction – Remote Unit (GVE120R)

Remote Unit (GVE120R)



1. The IOGEAR Logo, A mark of quality
2. Remote I/O (RJ/45 port)
3. Power Port (AC 9V)
4. Power Indicator Light
5. Monitor Port

Pictorial Introduction – Remote Unit (GVE120R)

Remote I/O

The Category **5**, **5e**, or **6** twisted pair cable that connects to the Local Unit plugs into this connector.

Power Port (AC 9V)

The power supply cable plugs into this connector.

Power Indicator Light

Lights to indicate that the unit is receiving power.

Monitor Port

The remote monitor's VGA cable plugs into this connector.

Installation of Video Extender

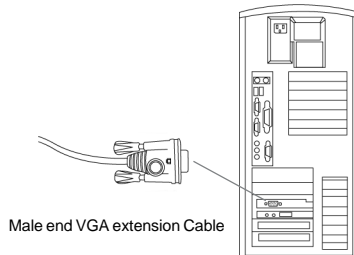
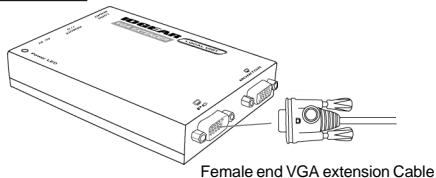
Warning!

Make absolutely sure that a protective ground wire with no potential difference is established between the AC sources for the Local and Remote units. Unequal grounding potential between the Local and Remote units will result in damage to the units and connected devices.

Refer to the pictorial introduction as you follow the step-by-step directions below:

1. Make sure that the computer and monitors you are using for the installation are powered Off.
2. Plug the male end of the VGA extension cable into the computer's video output port; plug the female end of the cable into the Local Unit's **PC (computer)** port.

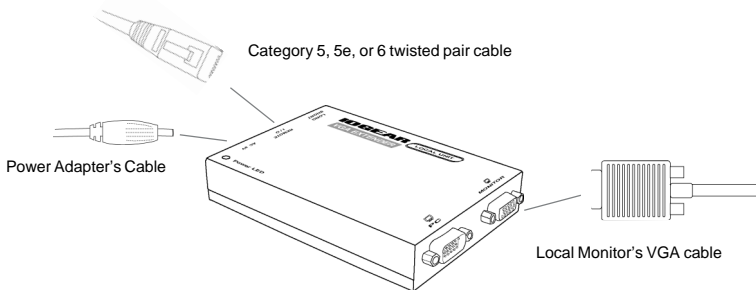
Local Unite



Installation of Video Extender

3. Plug the local monitor's VGA cable into the Local Unit's **Monitor** port.
4. Plug one of the power adapters (supplied with this package) into your surge protector power strip; plug the adapter's power cable into the Local Unit's **Power Port**.
5. Plug one end of your selected Category 5, 5e, or 6 twisted pair cable into the Local Unit's **Remote I/O** port.

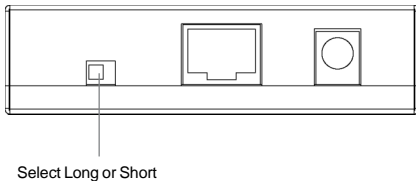
Local Unite



Installation of Video Extender

- Slide the Range Switch to the **Long** position if the Remote Unit location is a long distance away; slide the switch to the **Short** position if the Remote Unit location is a short distance away.
- Plug the other end of the Category 5, 5e, or 6 twisted pair cable into the Remote Unit's **Remote I/O** port.

Local Unite

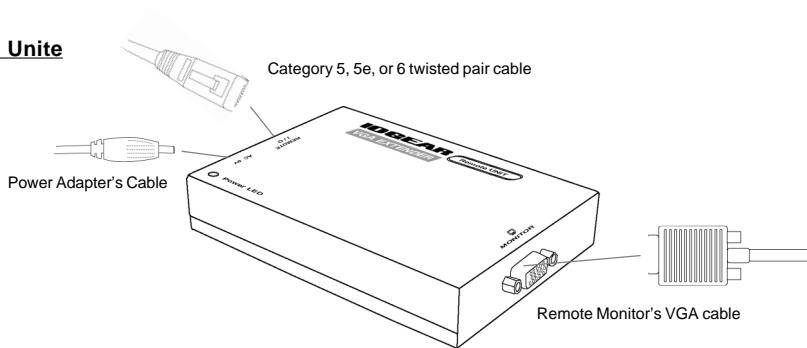


Installation of Video Extender

8. Plug the remote monitor's VGA cable into the Remote Unit's **Monitor** port.
9. Plug the second power adapter (supplied with this package) into a remote surge protector power strip; plug the adapter's power cable into the Remote Unit's **Power Port**.
10. Power On the computer and monitors.

Note: Refer to the *Cable Length* table in the Technical Details section on page ___ for typical resolution/refresh rate/distance ratios.

Remote Unite



Technical Details

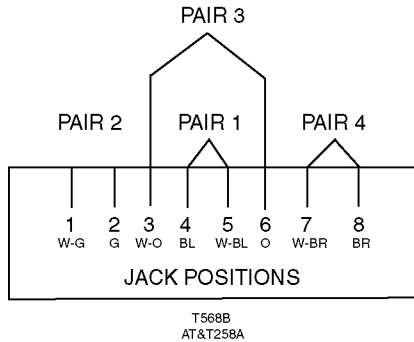
Cable Length

Resolution	Distance		
	@ 60 Hz	@ 75 Hz	@ 85 Hz
640 x 480	130	100 m	
800 x 600	100 m		
1024 x 768	100 m		
1280 x 1024	100 m		
1600 x 1200	100 m	80 m	

TP Pin Assignments

Pin	Assignment
1	V OUT G
2	/V OUT G
3	V OUT B
4	V OUT R
5	/V OUT R
6	/V OUT B
7	GND
8	GND

TP Wiring Diagram



Technical Support

To help IOGEAR® customers obtain the highest level of performance from their IOGEAR® Video Display Extender, IOGEAR® Service Support team is available to answer your technical questions. Do not hesitate to call if you are having trouble getting your drive to work correctly. Service Support can be reached at IOGEAR® from 8am to 5pm Pacific Standard Time, Monday through Friday or at the following address:

23 Hubble Drive Irvine, CA 92618

You may also reach us online at **www.iogear.com/support** 24 hours a day.

Please be ready to give a brief description of the problem, and what you were doing when the problem occurred, before calling Service Support. The Service Support representative will be able to serve you much quicker if you are prepared to answer the following questions listed below.

- 1) What version of OS are you using?
- 2) What type of computer are you using?
- 3) Can the problem be reproduced? If so, what are the steps necessary to reproduce the problem?
- 4) When does the problem occur?
- 5) What have you already tried to get the problem resolved?
- 6) What is the purchase date and serial number of the drive?
- 7) Are you on a network? If so, what type of network is it?
- 8) Were any messages displayed on the screen when the error occurred? If so, what was the exact wording of the message?

Function		Specification
Cable Distance		150m (500 ft.)
Cable Type		Category 5, 5e, & 6 STP / UTP
Connectors (Input)		Local: 15 pin HDB Male
		Remote: 8P8C Jack
Connectors (Output)		Local: 15 pin HDB Female/8P8C Jack
		Remote: 15 pin HDB Female
Dimensions	Height	0.9 in. (24mm.)
	Length	4.0 in. (104mm.)
	Width	3.8 in. (98mm.)
Housing	Case	Metal
LEDs	Power On	1
Power Consumption		DC 9V 130mA (Max)
Signal Type		VGA, SVGA, and Multisync
Video Resolution		1024 x 768 @ 150m

Radio & TV Interference Statement

WARNING!!! This equipment generates, uses and can radiate radio frequency energy and, if not installed and used in accordance with the instruction manual, may cause interference to radio communications. This equipment has been tested and found to comply with the limits for a Class B computing device pursuant to Subpart J of Part 15 of FCC Rules, which are designed to provide reasonable protection against such interference when operated in a commercial environment. Operation of this equipment in a residential area is likely to cause interference, in which case the user at his own expense will be required to take whatever measures may be required to correct the interference.

Limited Warranty

IN NO EVENT SHALL THE DIRECT VENDOR'S LIABILITY FOR DIRECT, INDIRECT, SPECIAL, INCIDENTAL OR CONSEQUENTIAL DAMAGES RESULTING FROM THE USE OF THE PRODUCT, DISK, OR ITS DOCUMENTATION EXCEED THE PRICE PAID FOR THE PRODUCT.

The direct vendor makes no warranty or representation, expressed, implied, or statutory with respect to the contents or use of this documentation, and especially disclaims its quality, performance, merchantability, or fitness for any particular purpose.

The direct vendor also reserves the right to revise or update the device or documentation without obligation to notify any individual or entity of such revisions, or updates. For further inquiries please contact your direct vendor.



Contact info.

23 Hubble • Irvine, CA 92618 • (P) 949.453.8782 • (F) 949.453.8785 • www.iogear.com