

GCS1808DPKITU

8-Port USB PS/2 Combo VGA DisplayPort KVM Kit



- Connect & control up to 8 USB or PS/2 computers from 1 keyboard, mouse & VGA monitor
- Kit includes adapters & cables needed to connect up to 8 computers
- Eliminates the expense of additional monitors, keyboards & mice
- Cascade up to 2 levels* to control up to 128 computers from a single console
- Easy to operate - computer selection via front panel LEDs, intuitive on-screen display & hotkeys

Connect & Control More

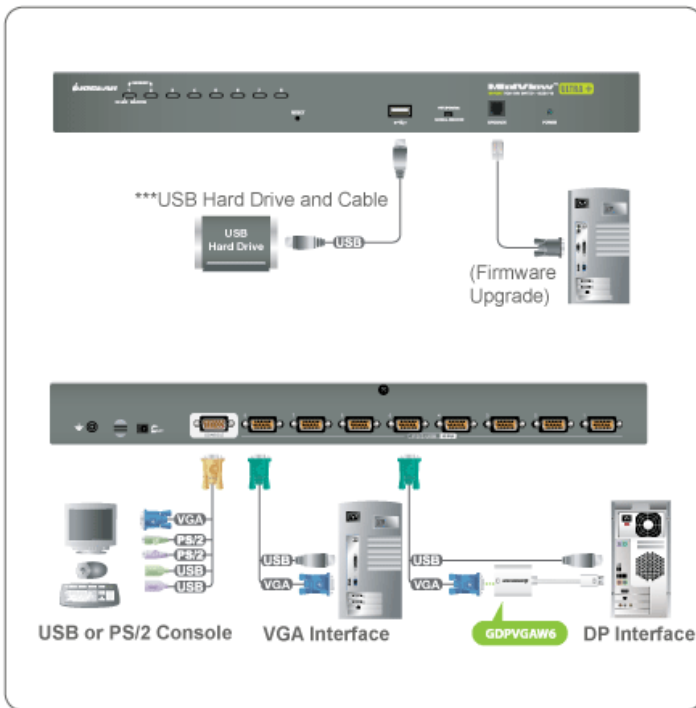
Expand the number of computers you can connect to and control through a single set of peripherals. Cascade and control as many as eight (8) additional IOGEAR 8-Port USB PS/2 Combo VGA KVMP Switch (GCS1808) switches for a total of 64 connected computers, all controlled from a single keyboard-monitor-mouse console. Need to control more computers? Cascade the IOGEAR 16-Port USB PS/2 Combo KVM Switch (GCS1716) to control up to 128 VGA and DisplayPort computers.

- Connect & control up to 8 USB or PS/2 computers from 1 keyboard, mouse & VGA monitor
- Kit includes adapters & cables needed to connect up to 8 computers
- Eliminates the expense of additional monitors, keyboards & mice
- Cascade up to 2 levels* to control up to 128 computers from a single console
- Easy to operate - computer selection via front panel LEDs, intuitive on-screen display & hotkeys
- An easy, efficient way to streamline an expanding server operation
- Display Emulation Technology provides the DDC support for Windows® 10
- Supports both USB and PS/2, VGA and DisplayPort(ver 1.1a) computers
- Auto Scan Mode to monitor connected computers
- Broadcast Mode to send commands to all connected computers
- Security - 2 level password protection for OSD
- Maximum video resolution: up to 2048 x 1536
- Front USB Port** - for system upgrades & shared peripherals
- Rack mountable in a 19" (1U) system rack
- Multi-platform OS support - Windows®, Mac, Oracle® Solaris and Linux®
- Custom ASIC provides an auto-sensing function that recognizes the position of each station on the installation
- Fully supports DDC2B

*Cascade compatible with GCS1716 for control over 128 computers

**Only systems connected with the USB KVM cables can access the front USB port for system upgrades and shared peripherals





Requirements

Console:

- VGA, SVGA, or MultiSync Monitor
- A Keyboard and Mouse (USB or PS/2)

Computers:

- VGA or DisplayPort video graphic card
- PS/2 mouse and keyboard ports (6-pin mini DIN)
- USB mouse and keyboard ports
- Multi OS Platform Support: Windows®, Mac, Oracle® Solaris and Linux®

Package Contents

- 1 x 8-Port USB PS/2 Combo VGA KVMP Switch(TAA Compliant) (GCS1808)
- 8 x DisplayPort to VGA Adapters(GDPVGA W6)
- 4 x USB KVM Cable(6ft - G2L5202U)
- 4 x USB KVM Cable(10ft - G2L5203U)
- 1 x PS/2 KVM Cable (6ft - G2L5202P)
- 1 x Console Cable
- 1 x Cascade Cable
- 1 x Firmware Upgrade Cable
- 1 x Grounding Wire
- 1 x Foot Pad Set (4 Pads)
- 1 x Power Adapter
- 1 x Standard Rack Mounting Kit
- 1 x Installation Guide
- 1 x Warranty Card

Specifications

Function	GCS1808DPKITU	Dimensions	GCS1808DPKITU
Computer Connections		Unit Package Dimensions	
Direct	8	Height	10.50in.
Daisy Chain or Cascading	64	Width	22.38in.
Port Selection		Depth	9.25in.
Hotkeys, OSD, Button		Weight	
Connectors		Unit Pack Wt.	14.9lb.
Console	1 x SPHD-18 Male (Yellow)	Unit Wt. w/accessories	12.0lb.
Computer/KVM	8 x SPHD-15 Female (Yellow)	Unit Wt.	5.6lb.
Power	1 x DC Jack		
USB	1 x USB 1.1 Type A Female		
Reset Switch			
1 x Semi-Recessed Push Button			
Switches			
F/W Upgrade	1 x Slide Switch		
Port Selection	8 x Push Button		
Emulation			
Keyboard	PS/2, USB		
Mouse	PS/2, USB		
Video Resolution			
VGA 2048x1536, DDC2B			
Power			
Voltage	DC 5.3V		
Amps	2.4A		
Scan Interval			
Environment			
Operation Temperature	0-50C		
Storage Temperature	-20-60C		
Humidity	0-80% RH, Non-condensing		
Housing			
Case	Metal		